

248 HANG RAILS

251 STORAGE

249 SUPPORTS

252 PULL OUT IRONING BOARD

# WARDROBE FITTINGS

252 PULL DOWN LIFT

253 LATERAL RACKS

## HANG RAILS

## HANG RAIL – ROUND – STEEL

- 19mm diameter tube x .9mm wall
- 25mm diameter tube x 1.2mm wall
- 3 metre length
- Carton packaging

CODES	Ø	FINISH	PACK SIZE
<b>290.91930.340</b>	19	chrome	10
<b>290.92530.340</b>	25	chrome	10



## NOTES

## HANG RAIL – OVAL – STEEL

- 30mm x 15mm tube x .7mm wall
- 3 metre length
- Carton packaging

CODES	FINISH	PACK SIZE
<b>291.30153.340</b>	chrome	10



## HANG RAIL – ROUND – ALUMINIUM

- 25mm diameter tube x 1.2mm wall
- 4 metre length
- Carton packaging

CODES	Ø	FINISH	PACK SIZE
<b>640125</b>	25	chrome	5



## HANG RAIL – OVAL – ALUMINIUM

- Plain design
- 30mm x 15mm tube x 1.2mm wall
- 4 metre length
- Carton packaging

CODES	FINISH	PACK SIZE
<b>640130</b>	chrome	5



## HANG RAIL – OVAL – ALUMINIUM

- Ribbed design
- 30mm x 15mm tube x 1.2mm wall
- 4 metre length
- Carton packaging

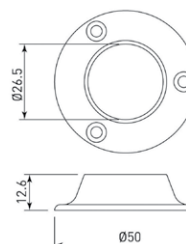
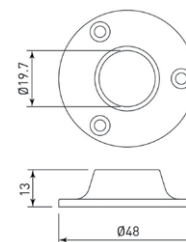
CODES	FINISH	PACK SIZE
<b>640135</b>	chrome	5



## SUPPORTS

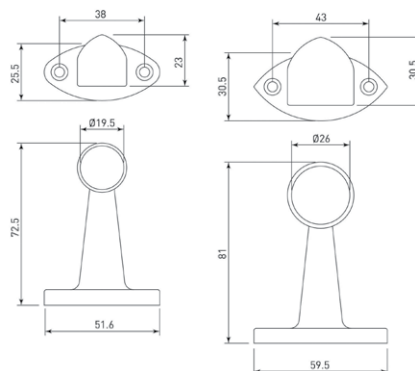
## FLANGE SUPPORTS – ROUND TUBE – ZINC

## NOTES

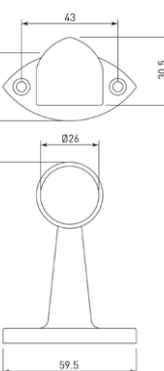


CODES	Ø	FINISH	PACK SIZE
<b>630119</b>	19	chrome	100
<b>630125</b>	25	chrome	50

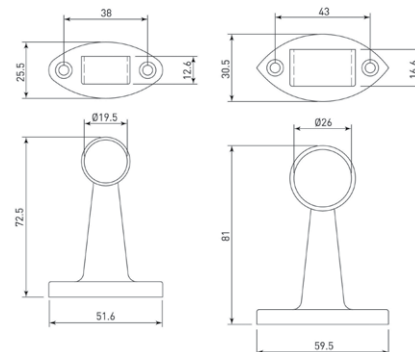
## END PILLAR SUPPORTS – ROUND TUBE – ZINC



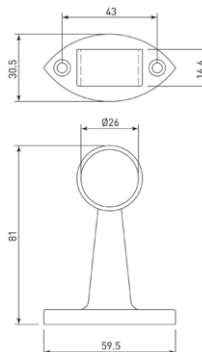
CODES	Ø	FINISH	PACK SIZE
<b>630120</b>	19	chrome	20
<b>630126</b>	25	chrome	20



## CENTRE PILLAR SUPPORTS – ROUND TUBE – ZINC



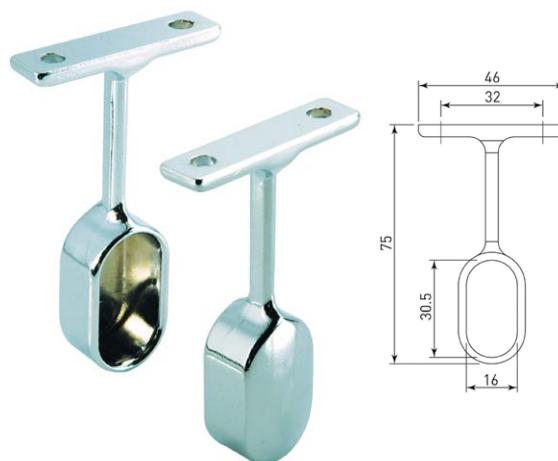
CODES	Ø	FINISH	PACK SIZE
<b>630121</b>	19	chrome	20
<b>630127</b>	25	chrome	20



## SUPPORTS

## END PILLAR SUPPORTS – OVAL TUBE – ZINC

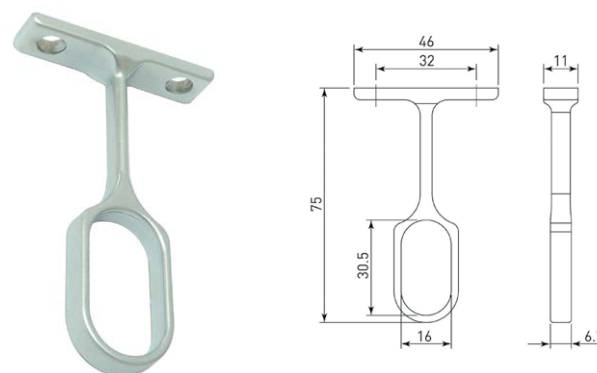
CODES	A	B	FINISH	PACK SIZE
<b>630131</b>	30	15	chrome	20



## NOTES

## CENTRE PILLAR SUPPORTS – OVAL TUBE – ZINC

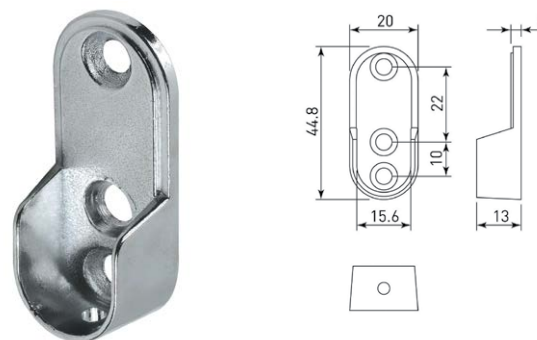
CODES	A	B	FINISH	PACK SIZE
<b>630132</b>	30	15	chrome	20



## FLANGE SUPPORTS – OVAL TUBE – ZINC

- Screw fix
- 32mm c/c
- Hole for securing tube

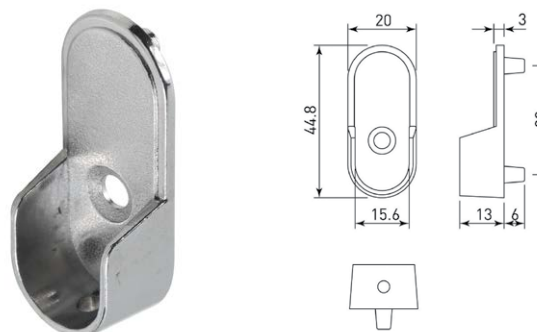
CODES	A	B	FINISH	PACK SIZE
<b>630130</b>	30	15	chrome	40



## FLANGE SUPPORTS – OVAL TUBE – WITH PINS – ZINC

- Quick fixing oval end flange
- 2 pins, 5mm
- 32mm c/c
- Hole for securing tube

CODES	A	B	FINISH	PACK SIZE
<b>630129</b>	30	15	chrome	40



## STORAGE

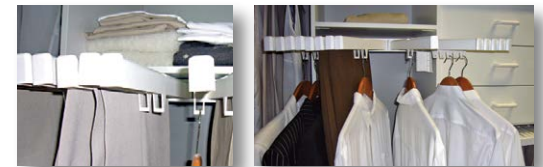
artia

## NOTES



- Updated model
- Keep your clothes neat, tidy and uncrushed in your wardrobe with Trouser Practic
- Trouser Practic's patented system pulls out and fans easily for you to select or replace your garment
- Tiny nodules on the top of the arm keep trousers or slacks from slipping and coats
- Dresses can be hooked onto the support underneath each arm
- The strong thermoset moulded hanging arm is strong and durable
- The system is available in two sizes 14 or 18 arms
- Slides on Repon Ball Bearing Slides with high 30kg load capacity

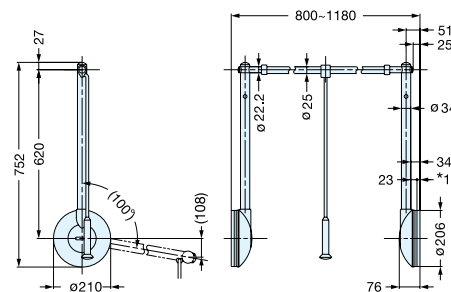
CODES	WIDTH	DEPTH	BARS	PACK SIZE
<b>503018</b>	450	450	14	7
<b>503020</b>	600	450	18	5



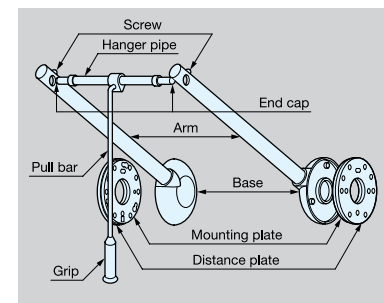
## TALLMAN – DUAL MOUNT

- Dual pull down mechanism mounted between carcase walls
- Grey enamelled steel arm with grey plastic body
- Cantilever hanging tube (laquered steel) is suitable for loads up to 20kg
- Pendant handle of grey enamel steel and grey hand grip
- Dual mounting to suit 800 – 1180mm wide unit (adjustable)

CODES	WIDTH	TYPE	PACK SIZE
<b>185012</b>	1180	Dual	1



\*Thickness of Distance Plate

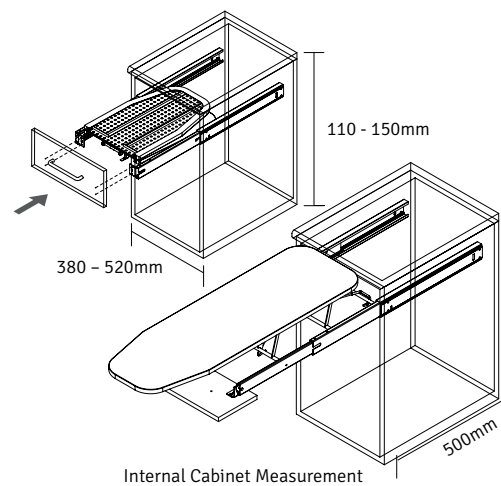




## PULL OUT IRONING BOARD

## BUILT-IN FOLDING IRONING BOARD

- For width 380 ~ 520mm cabinet



CODES

ADJUSTABLE WIDTH (W)

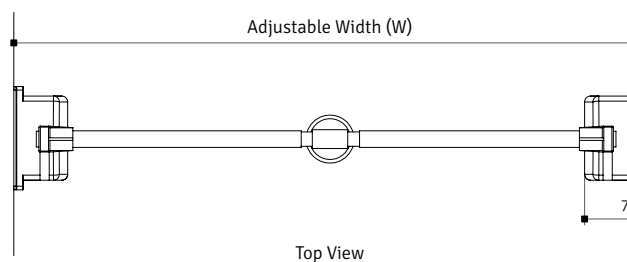
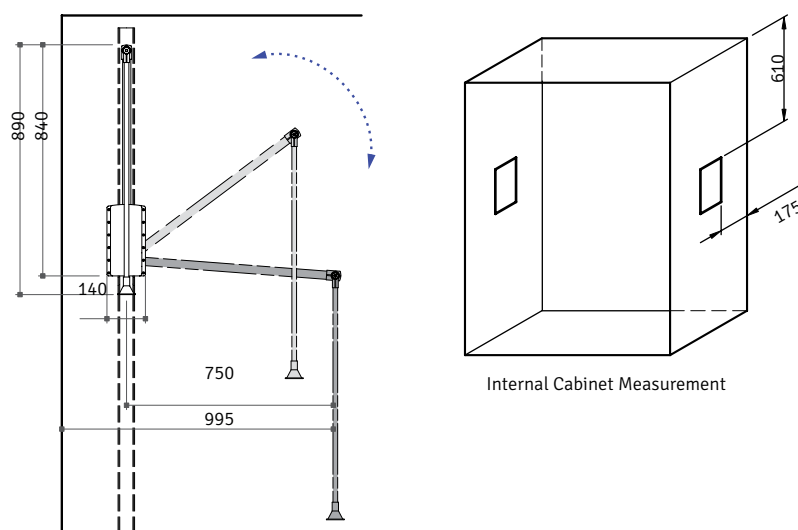
AW2121E

380 ~ 520 mm (INT.)

## PULL DOWN LIFT

## WARDROBE LIFT / PULL-DOWN CLOSET ROD

- Side Mounting
- Three adjustable widths
- Aluminium closet rod/silver plastic housing



CODES

ADJUSTABLE WIDTH (W)

LOADING WEIGHT

AW1111SV-11A

560 ~ 650 mm (INT.)

8 kgs

AW1111SV-22A

660 ~ 750 mm (INT.)

10 kgs

AW1111SV-33A

885 ~ 975 mm (INT.)

12 kgs

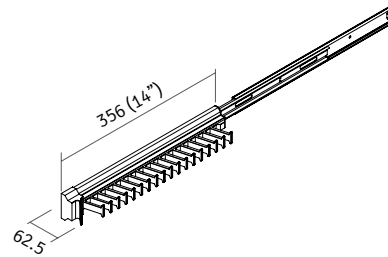
## LATERAL RACKS



## TIE RACK

- 350mm length full extension ball bearing slide
- Overall Length 356mm
- Mounting pattern: 224mm CC

CODE	NO. OF HOOKS
<b>AW14081</b>	18 tie hooks



## BELT RACK

- 350mm length full extension ball bearing slide
- Overall Length 356mm
- Mounting pattern: 224mm CC

CODE	NO. OF HOOKS
<b>AW14083</b>	6 belt hooks

