

artia



PAGE	
288	Hang Rails
289	Supports
291	Storage
292	Pull Out Ironing Board
292	Pull Down Lift
293	Lateral Racks

# WARDROBE FITTINGS

# WARDROBE FITTINGS



## Hang Rails

### Hang Rail – Round – Steel

- 19mm diameter tube x .9mm wall
- 25mm diameter tube x 1.2mm wall
- 3 metre length
- carton packaging

CODES	Ø	Finish	Pack size
290.91930.340	19	chrome	10
290.92530.340	25	chrome	10



### Hang Rail – Oval – Steel

- 30mm x 15mm tube x .7mm wall
- 3 metre length
- carton packaging

CODE	Finish	Pack size
291.30153.340	chrome	10



### Hang Rail – Round – Aluminium

- 25mm diameter tube x 1.2mm wall
- 4 metre length
- carton packaging

CODE	Ø	Finish	Pack size
640125	25	chrome	5
640025HSH	25	white	5



### Hang Rail – Oval – Aluminium

- Plain design
- 30mm x 15mm tube x 1.2mm wall
- 4 metre length
- carton packaging

CODES	Finish	Pack size
640130	chrome	5
640030	white	5



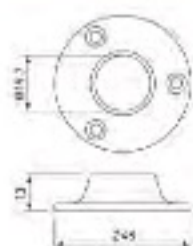
### Hang Rail – Oval – Aluminium

- ribbed design
- 30mm x 15mm tube x 1.2mm wall
- 4 metre length
- carton packaging

CODES	Finish	Pack size
640135	chrome	5
640035	white	5

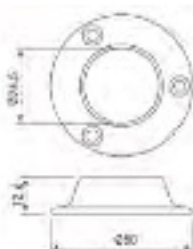


## Supports



### Flange Supports – Round Tube – Zinc

CODES	Ø	Finish	Pack size
630119	19	chrome	100
630125	25	chrome	50



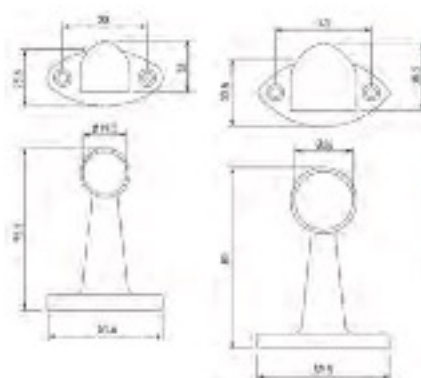
### Supports – Round

- tube holder plastic 16mm white
- tube holder plastic 19mm white
- knock in fit via 10mm dowel



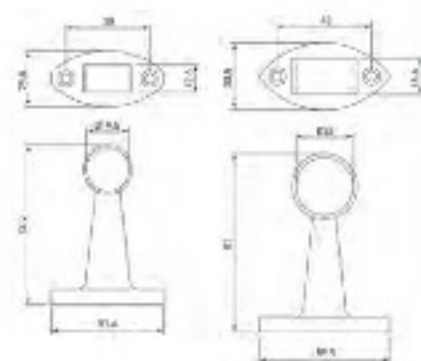
CODES	A	Finish	Pack size
295.27616.001*	16	white	1000
295.27619.001*	19	white	1000

\* indent only



### End Pillar Supports – Round Tube – Zinc

CODES	Ø	Finish	Pack size
630120	19	chrome	20
630126	25	chrome	20
630025	25	white	20



### Centre Pillar Supports – Round Tube – Zinc

CODES	Ø	Finish	Pack size
630121	19	chrome	20
630127	25	chrome	20
630026	25	white	20



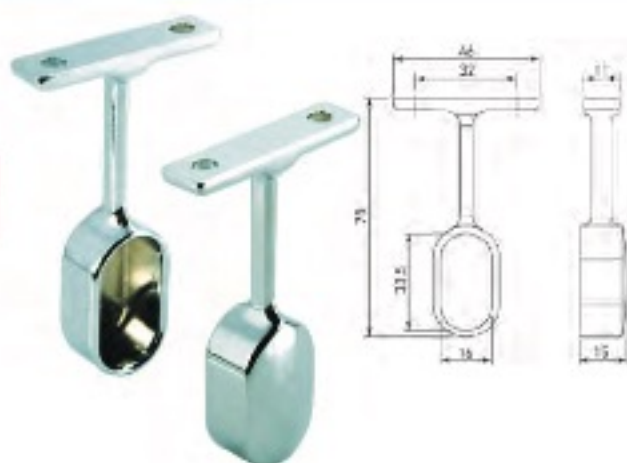
# WARDROBE FITTINGS



## Supports

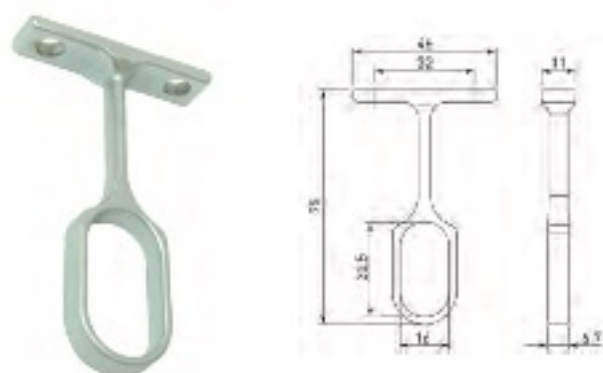
### End Pillar Supports – Oval Tube – Zinc

CODES	A	B	Finish	Pack size
630131	30	15	chrome	20
630030	30	15	white	20



### Centre Pillar Supports – Oval Tube – Zinc

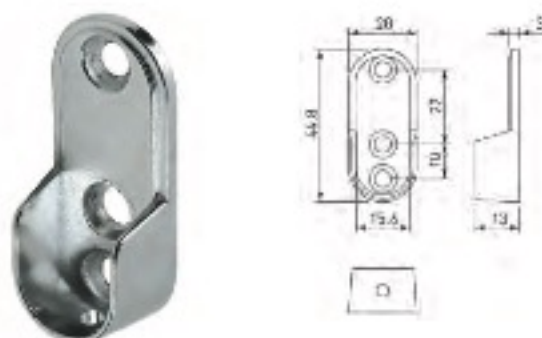
CODES	A	B	Finish	Pack size
630132	30	15	chrome	20t
630031	30	15	white	20



### Flange Supports – Oval Tube – Zinc

- screw fix
- 32mm c/c
- hole for securing tube

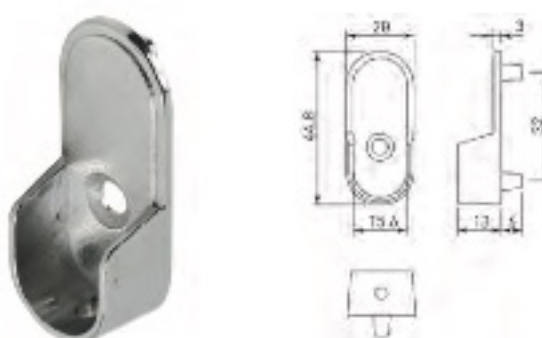
CODE	A	B	Finish	Pack size
630130	30	15	chrome	40



### Flange Supports – Oval Tube – With Pins – Zinc

- Quick fixing oval end flange
- 2 pins, 5mm
- 32mm c/c
- hole for securing tube

CODES	A	B	Finish	Pack size
630129	30	15	chrome	40





### Trouser Practic

- updated model
- keep your clothes neat, tidy and uncrushed in your wardrobe with Trouser Practic
- Trouser Practic's patented system pulls out and fans easily for you to select or replace your garment
- tiny nodules on the top of the arm keep trousers or slacks from slipping and coats
- dresses can be hooked onto the support underneath each arm
- the strong thermoset moulded hanging arm is strong and durable
- the system is available in two sizes 14 or 18 arms
- slides on Repon Ball Bearing Slides with high 30kg load capacity

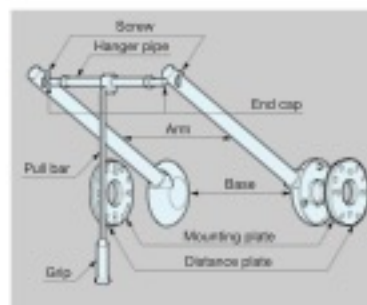
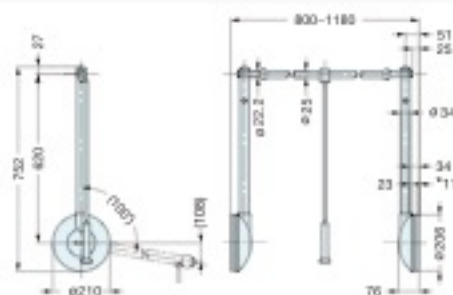
CODES	Width	Depth	Bars	Pack size
503018	450	450	14	7
503020	600	450	18	5



### Tallman – Dual Mount

- dual pull down mechanism mounted between carcase walls
- grey enamelled steel arm with grey plastic body
- cantilever hanging tube (laquered steel) is suitable for loads up to 20kg
- pendant handle of grey enamel steel and grey hand grip
- dual mounting to suit 800 – 1180mm wide unit (adjustable)

CODE	Width	Type	Pack size
185012	1180	dual	1



# WARDROBE FITTINGS

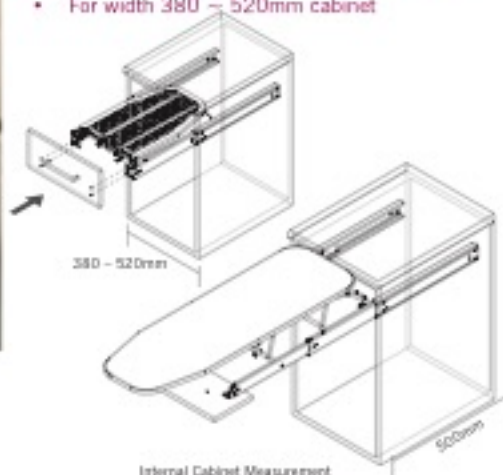
artia

## Pull Out Ironing Board



### Built-in Folding Ironing Board

- For width 380 ~ 520mm cabinet



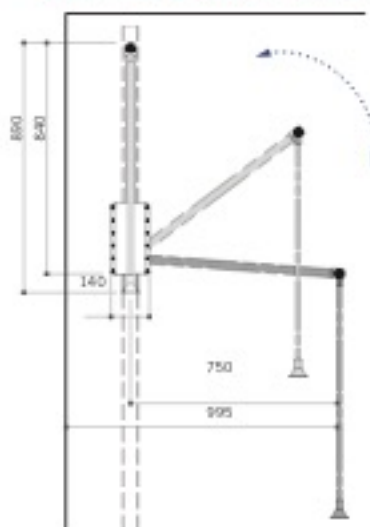
CODE	Adjustable Width (W)
AW2121E	380 ~ 520 mm (INT.)

## Pull Down Lift

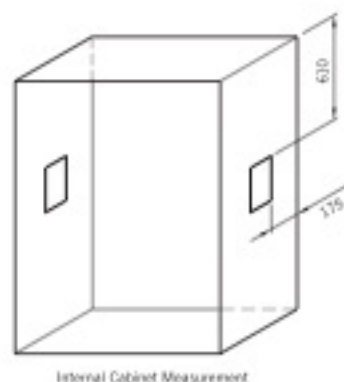


### Wardrobe Lift / Pull-Down Closet Rod

- Side Mounting
- Three adjustable widths
- Aluminium closet rod/silver plastic housing



CODE	Adjustable Width (W)	Loading Weight
AW1111SV-11A	560 ~ 650 mm (INT.)	8 kgs
AW1111SV-22A	660 ~ 750 mm (INT.)	10 kgs
AW1111SV-33A	885 ~ 975 mm (INT.)	12 kgs





## Lateral Racks



### Tie Rack

- 350mm length full extension ball bearing slide
- Overall Length 356mm
- Mounting pattern: 224mm CC

CODE	No. of hooks
AW14081	18 tie hooks



### Belt Rack

- 350mm length full extension ball bearing slide
- Overall Length 356mm
- Mounting pattern: 224mm CC

CODE	No. of hooks
AW14083	6 belt hooks



### Scarf Rack

- 350mm length full extension ball bearing slide
- Overall Length 356mm
- Mounting pattern: 224mm CC

CODE	No. of loops
AW14085	6 scarf loops





NOW HAS A NEW NAME

# KONNECT

The Coventry Group operates its Fasteners Business in more than 50 locations throughout Australia and New Zealand under multiple names.

As of January 2014 Coventry Fasteners and Hylton Parker Fasteners will be coming together under the one name... **KONNECT.**

As well as the new name, we will have a new website and new phone number, however the old website and number will continue for some time.

## [www.konnectshop.com](http://www.konnectshop.com)

We strive to be the most efficient distributor of quality fasteners, tools, adhesives, safety equipment, chemicals and lubricants, ladders and much more. Whilst distributing a very large range of product, we also want to continue to present a strong brand to the market.



It is business as usual and we will continue to:

- Operate in more than 50 branches across Australasia
- Carry over 50,000 product lines across Australasia
- Have 95% of fast moving lines in stock at all times
- Have access to over 130,000 individual products

HANDLING & STORAGE



SAFETY



FASTENERS & ASSORTMENTS



CUTTING & THREADING



CHEMICALS & LUBRICANTS



ELECTRICAL



ADHESIVES & SEALANTS



LADDERS



AIR TOOLS



POWER TOOLS



HAND TOOLS



ABRASIVES

