



**Issue:** 040  
**Date:** 11<sup>th</sup> December 2010

**Catalogue Section:** Drawer Slides  
**Product Manager:** Keiran Lowden

**Subject:** GRASS DYNAPRO SLIDE SYSTEM



We are pleased to announce the introduction of a completely new Drawer Slide System from Grass – Dynapro. Dynapro is a brand new generation of concealed slides for wooden drawers, taking over from the current Dynamic NT system.

### Technical Information

#### **Dynapro**

Dynapro is the world's first undermount slide system to feature an integrated three dimensional adjustment option allowing the drawer to be adjusted vertically, horizontally and also in its angle of tilt. All adjustment can be achieved without tools allowing perfect adjustment through a few simple actions.



Height adjustment (max. +3.5mm) and side adjustment (max.  $\pm 1.5$ mm) is achieved by acting on the new locking device on the underside of the drawer.

Tilt adjustment (max.  $\pm 4.0$ mm) can be achieved by acting on the adjustment adapter on the rear of the drawer



Dynapro is also the only fitting in the world to feature a synchronisation mechanism in the slides. This mechanical synchronisation of each individual slide ensures enhanced comfort with the slide members moving in a very smooth motion without noise or resistance. In addition, Dynapro features abrasion resistant nylon rollers always ensuring a smooth and even operation.



Dynapro comes as standard with soft close functionality integrated into the slides and is available in 40kg and 60kg versions. Sizes 250mm – 550mm are available in 40kg with the 60kg version available in sizes 500mm – 650mm.

To utilise the standard Dynapro runner system, a set of Dynapro full extension runners are used in conjunction with the Dynapro clip and adjustment set (comprising Dynapro locking device and adjustment adaptors).

### **Dynapro Tipmatic Plus**

With Tipmatic Plus, an add on mechanical opening system, it is possible for the Dynapro to accommodate drawers with handle free fronts that will open with a gentle touch to the drawer front.

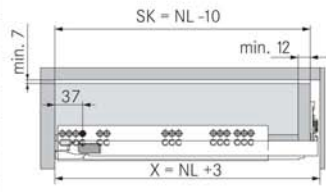
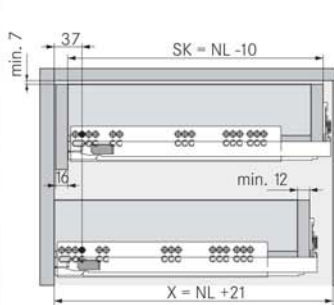
To utilise Tipmatic Plus, Dynapro Tipmatic full extension runners are used in conjunction with the Tipmatic Plus Set (comprising Dynapro locking device, Tipmatic Plus adjustment adapter and connector levers) and a Synchronisation Bar. Dynapro Tipmatic Plus is available in lengths 250mm – 550mm with a load capacity of 40kg.

All Dynapro adjustment features remain when utilising Tipmatic Plus.

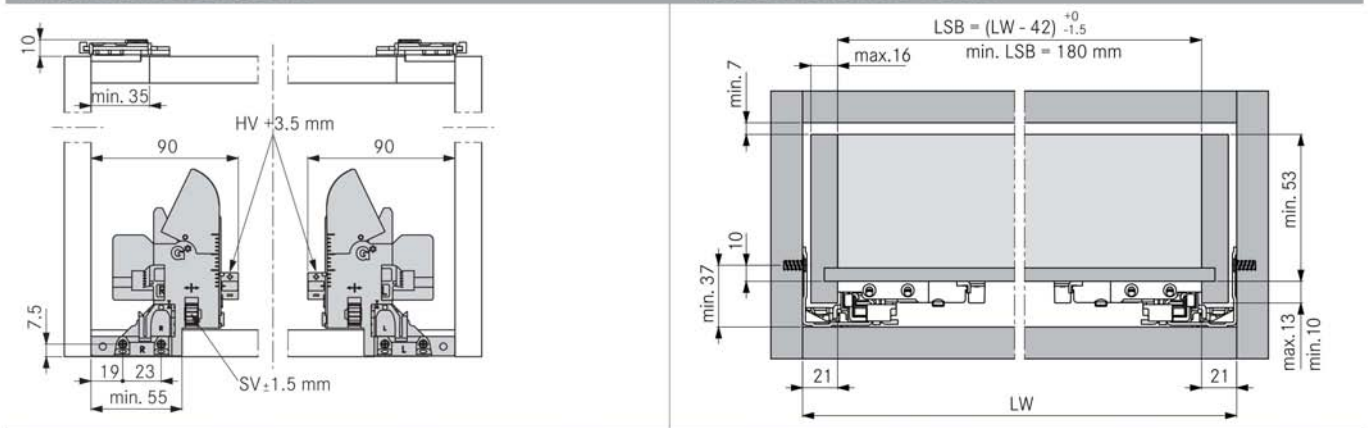


## Technical Data – Standard Dynapro 40kg and 60kg Versions

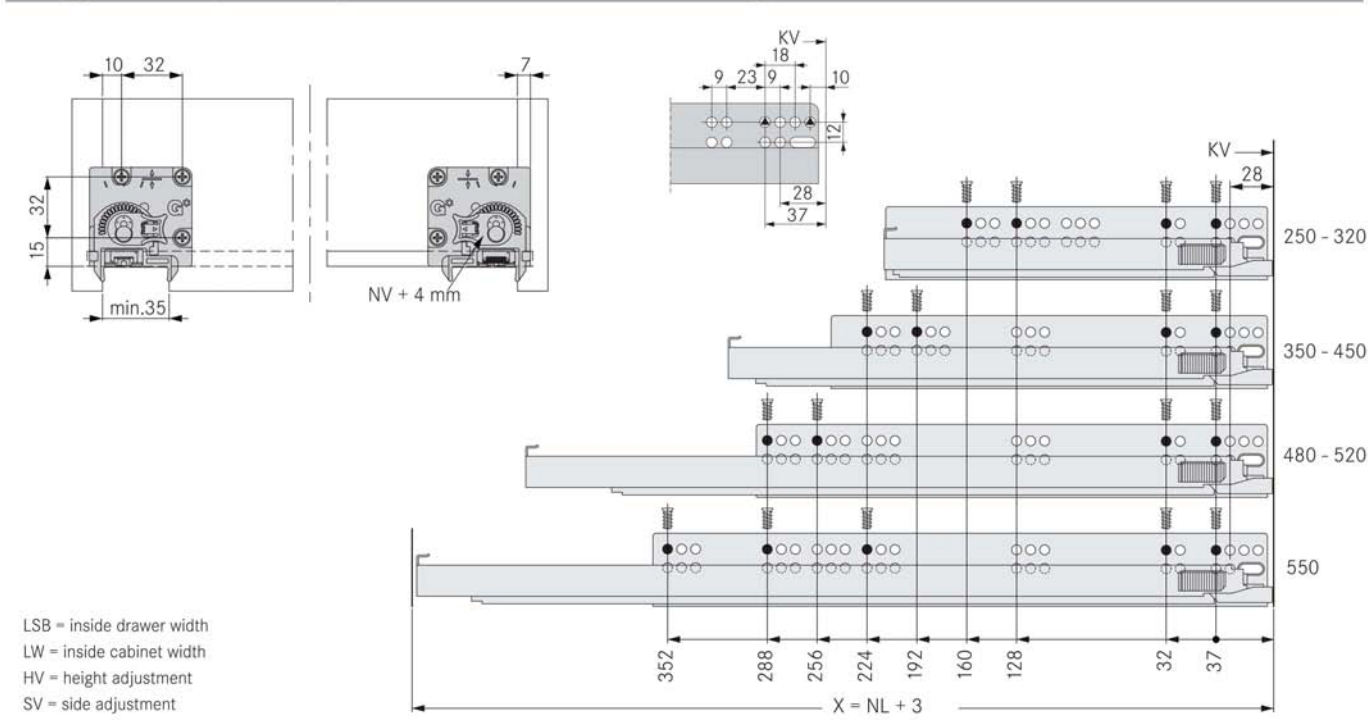
The following diagrams show all measurements, drilling and fixing positions for the Dynapro.

Nominal length	Drawer length	Min. installation depth	Drawer	Inset drawer
250	240	253		
270	260	273		
300	290	303		
320	310	323		
350	340	353		
380	370	383		
400	390	403		
420	410	423		
450	440	453		
480	470	483		
500	490	503	<p>SK = drawer length NL = nominal length X = minimum installation depth</p>	
520	510	523		
550	540	553		

### Fixing position of locking device      Installation dimensions of drawer



### Fixing position of adjustment adapter      Fixing position of cabinet member

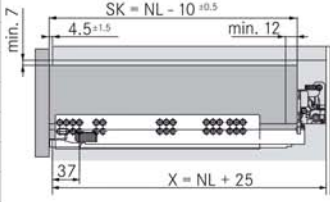
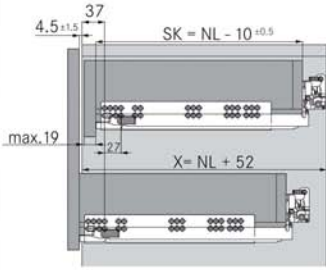


LSB = inside drawer width  
LW = inside cabinet width  
HV = height adjustment  
SV = side adjustment  
NV = tilt adjustment  
KV = front edge of cabinet

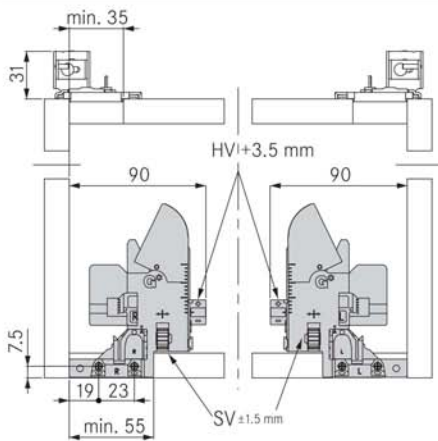
All dimensions in millimetres.

## Technical Data – Dynapro with Tipmatic Plus 40kg and 60kg Versions.

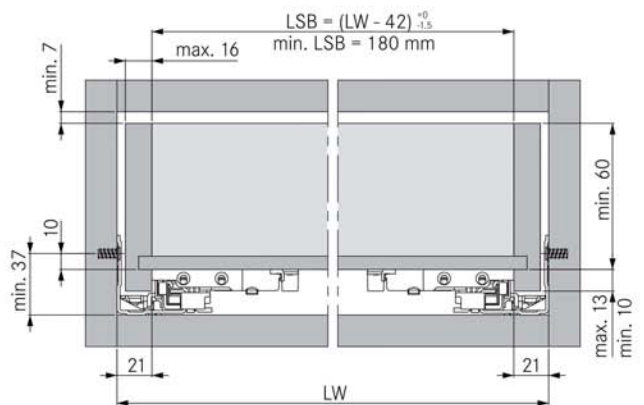
The following diagrams show all measurements, drilling and fixing positions for the Dynapro Tipmatic Plus.

Nominal length	Drawer length	Min. installation depth	Drawer	Inset drawer
250	240	275		
270	260	295		
300	290	325		
320	310	345		
350	340	375		
380	370	405		
400	390	425		
420	410	445		
450	440	475		
480	470	505		
500	490	525	<p>SK = drawer length NL = nominal length X = minimum installation depth</p>	
520	510	545		
550	540	575		

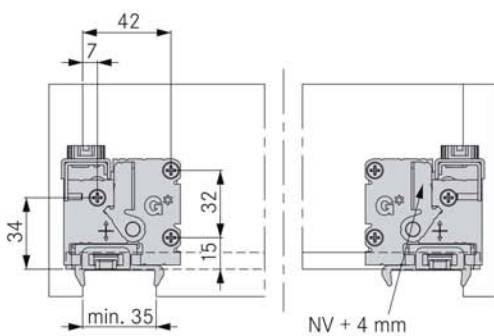
Fixing position of locking device



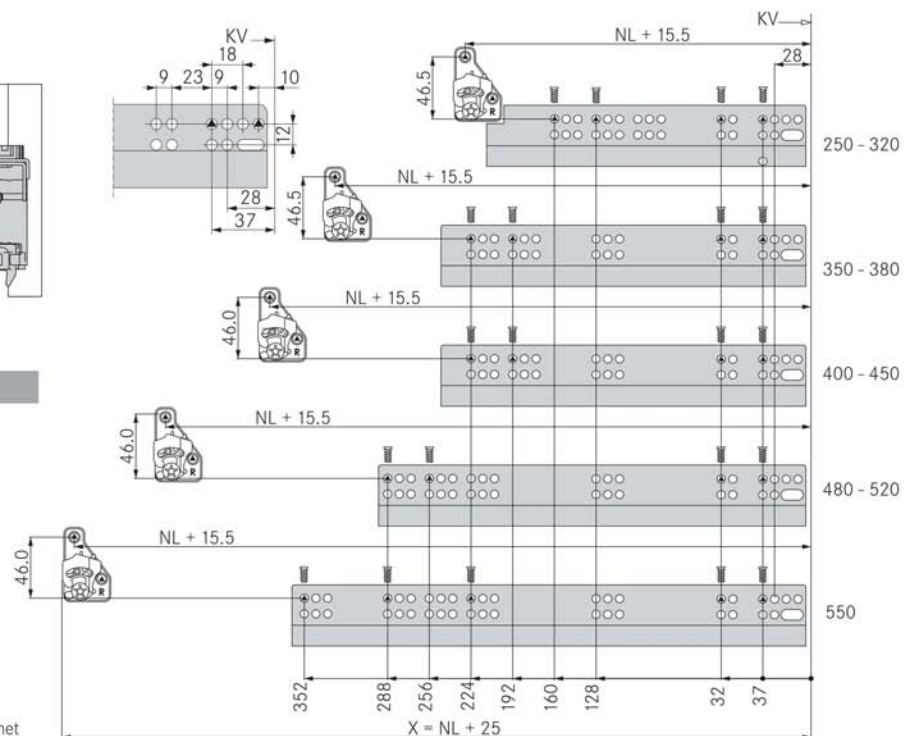
Installation dimensions of drawer



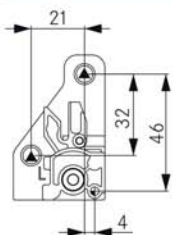
Fixing position of adjustment adapter Tipmatic Plus



Fixing position of cabinet member



Fixing position of locking unit



LSB = inside drawer width  
LW = inside cabinet width  
HV = height adjustment  
SV = side adjustment

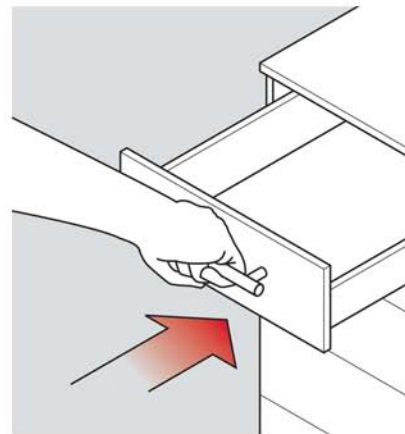
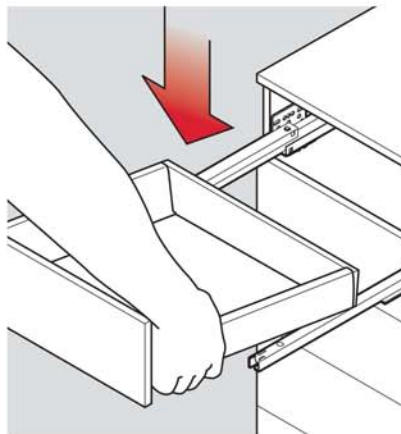
NV = tilt adjustment  
KV = front edge of cabinet  
TV = depth adjustment

All dimensions in millimetres.

The following pages provide basic instructions regarding use and adjustment of the Dynapro.

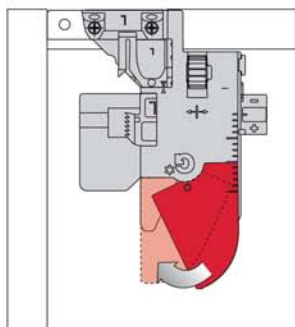
### Engaging the drawer

Place drawer on extended Dynapro slide and slide on until it engages audibly



### Disengaging the drawer

Pull the drawer out, operate the locking device levers and lift drawer from the slide.

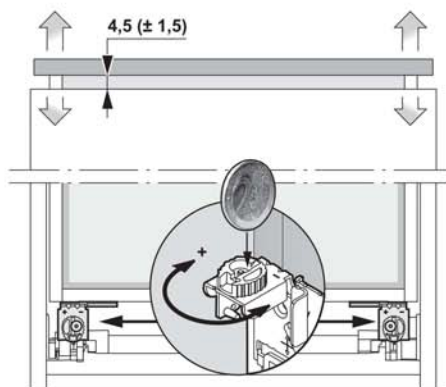


### Front gap adjustment Dynapro Tipmatic Plus

#### Front gap adjustment

Safe opening and closing of the drawer depends on the front gap adjustment (factory setting 4.5 mm).

Depth adjustment possible on both sides (2 clicks = approx. 1 mm)



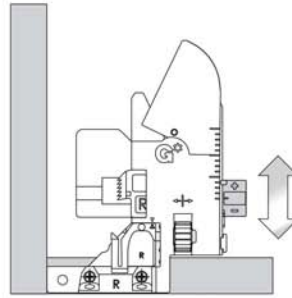
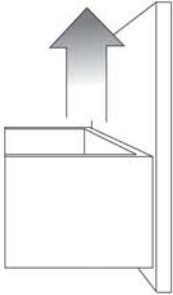
### Note

#### Fixing the cabinet members:

The recommendations for screws are guidelines only. Installers need to ensure that the fixing substrate is adequate.

Height adjustment (max. +3.5 mm)

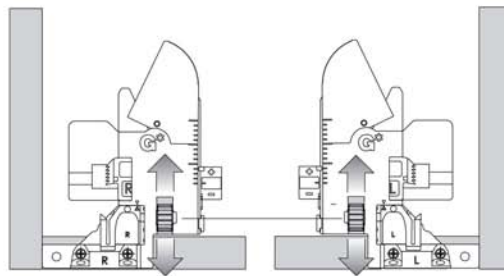
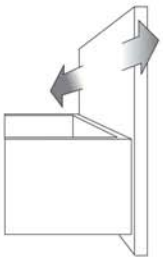
Dynapro Tipmatic Plus and Dynapro Soft-close



Side adjustment (max.  $\pm 1.5$  mm)

Dynapro Tipmatic Plus and Dynapro Soft-close

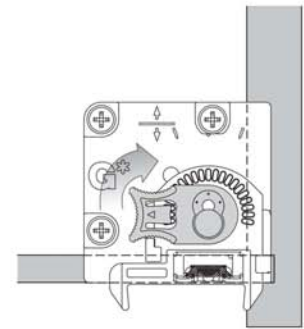
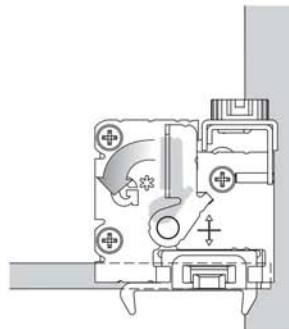
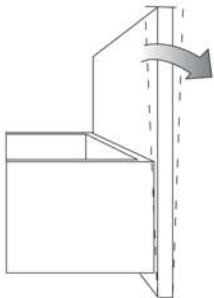
- 1 Adjust both wheels in the same direction
- 2 Disengage drawer
- 3 Engage drawer



Tilt adjustment (max. +4.0 mm)

Dynapro Tipmatic Plus

Dynapro Soft-close



For further information please contact one of our customer service teams on 1800 008 591 in Australia, or in New Zealand on 0800 267 625.