

Cabinet & Furniture Hardware



PRODUCT RELEASE – C

Issue: 041
Date: 11th December 2010

Catalogue Section: Drawer Systems
Product Manager: Keiran Lowden

Subject: GRASS DWD XP ACCESSORIES



We are pleased to announce the introduction of a number of Grass DWD XP Drawer Accessories to complement our existing product range. The accessories update the range of side extensions and drawer divider options currently available. Whilst these have been available from our supplier for quite some time, this is the first time they have been included in the Artia range and completes our product offering for DWD XP drawer accessories.

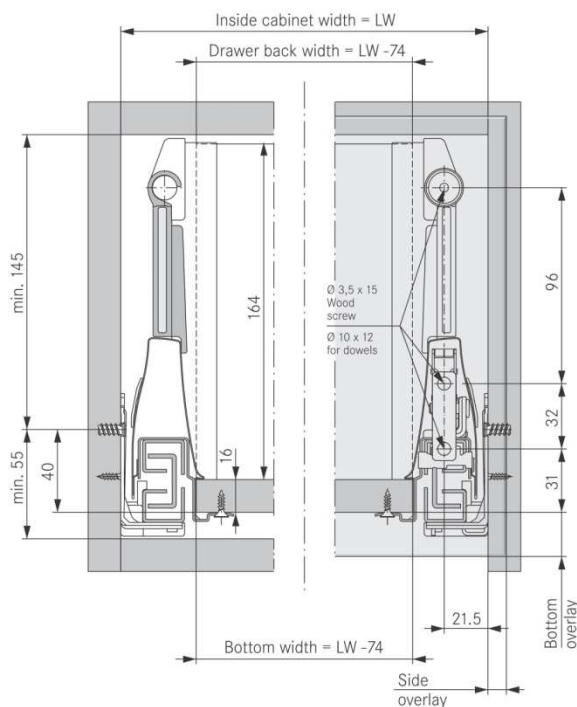
DWD XP Variowing



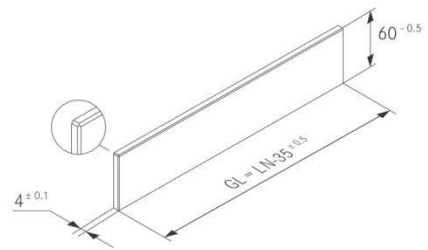
The DWD XP Variowing is a side extension featuring clear acrylic panels with Alu-grey fixing brackets. Variowing is used in conjunction with the standard DWD XP screw on railing in order to utilise the additional Magic Optima dividing system.

Variowing is available in lengths to suit 500mm and 550mm only.

Mounting positions



Dimensions for glass cutting



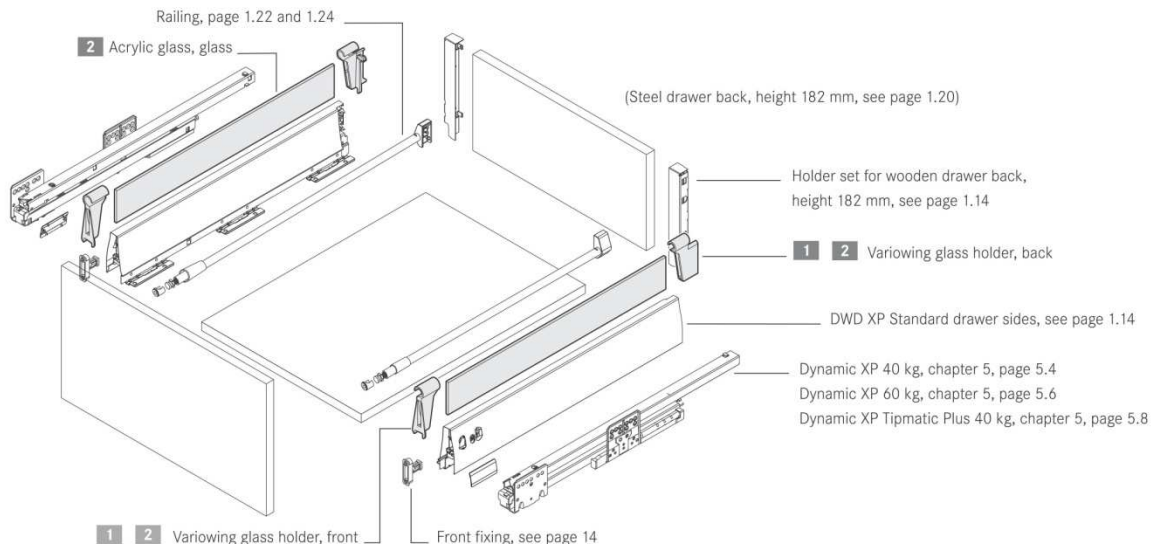
NL/nominal length in mm	GL /glass length in mm ± 0.5 mm
350	315
400	365
450	415
500	465
550	515
600	565
650	615

Information:

All edges must be chamfered (approx. 0.7 mm x 45°).

Grass recommends SGS glass (toughened safety glass), please refer to national and international safety standards.

Pot drawer with Variowing add-on system in glass



DWD XP Duowing

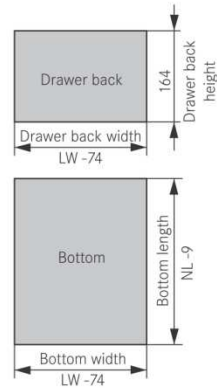
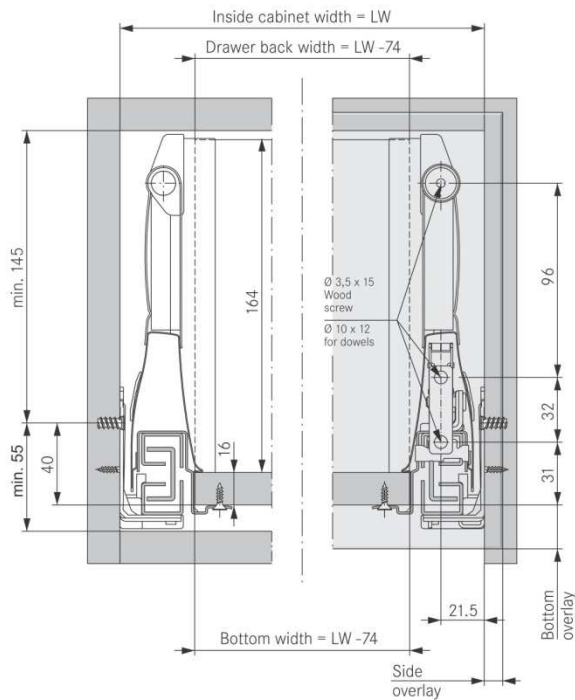


DWD XP Duowing is a double wall side extension. Duowing is also used in conjunction with the standard DWD XP screw on railing in order to utilise the additional Magic Optima or Magic Classic dividing systems.

Duowing is available in lengths 400mm – 550mm and in white or Alumetallic finishes.

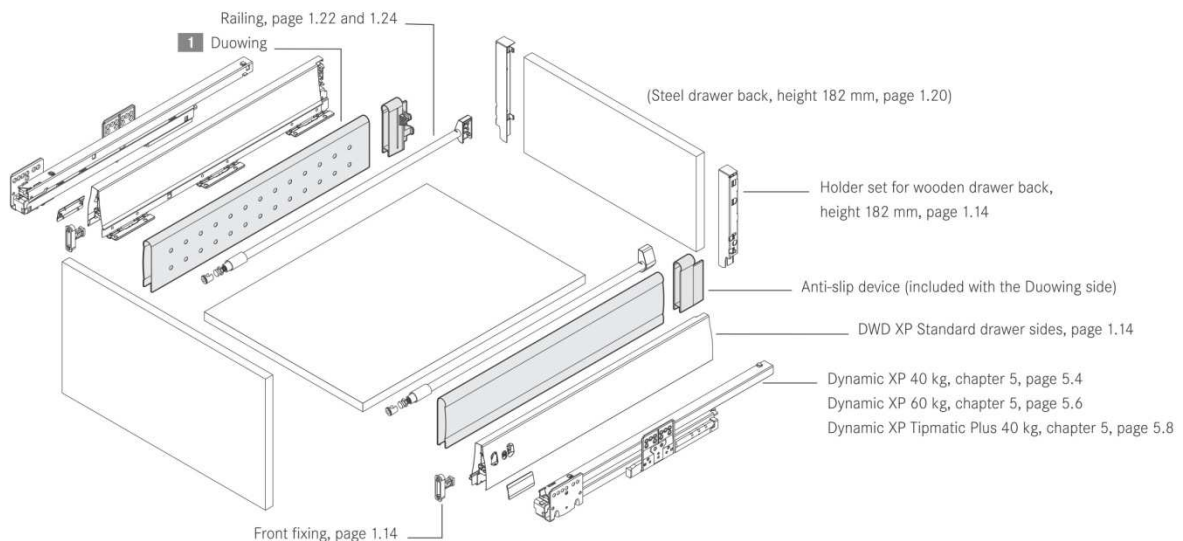
Mounting positions

Cutting dimensions based on 16 mm particle board



Minimum installation depth = NL + 9
 NL = Nominal length of runner

Pot drawer with Duowing add-on system



All dimensions in millimetres.

DWD XP Magic Optima Dividing System



To compliment the above side extensions we introduce the Magic Optima Dividing System – a range of components that can be used with the Variowing, Duowing or Solowing to allow for the individual organisation of drawer space.

The Magic Optima System is made up of the following components:



Magic Optima Divider Profile – Dividing profile for the Magic Optima system. Available in White and Alu metallic and supplied 1072mm lengths only.

Profile Holder for Variowing – Used in conjunction with the Magic Optima Divider Profile when required for the Variowing side extension. Available only in Alu-grey



Profile Holder for Duowing - Used in conjunction with the Magic Optima Divider Profile when required for the Duowing side extension. Available only in Alu-grey

Profile Holder for Solowing - Used in conjunction with the Magic Optima Divider Profile when required for the Solowing side extension. Available only in Alu-grey



Magic Optima Smartboard – Used in conjunction with the Magic Optima divider profile to further divider drawer space. Available only in Alu-grey

Using the above components, the Magic Optima System can divide and utilise space with the Variowing, Duowing or Solowing side extensions.



Variowing

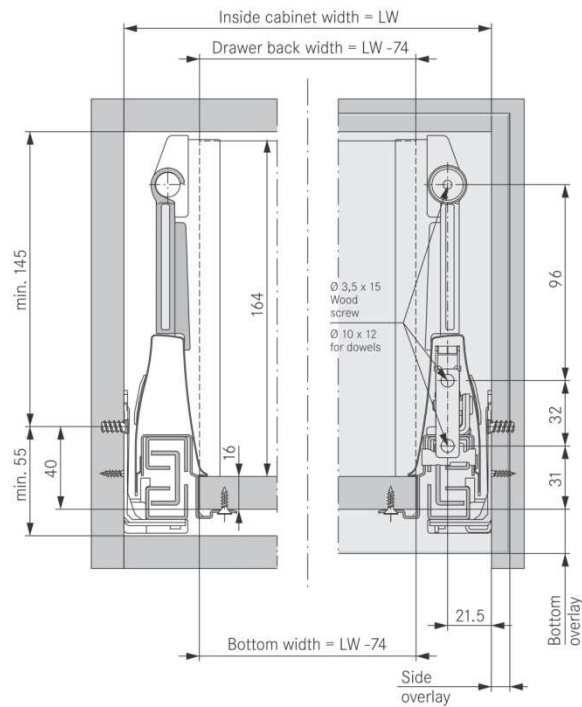


Duowing

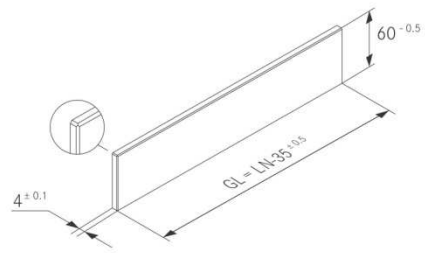


Solow

Mounting positions



Dimensions for glass cutting



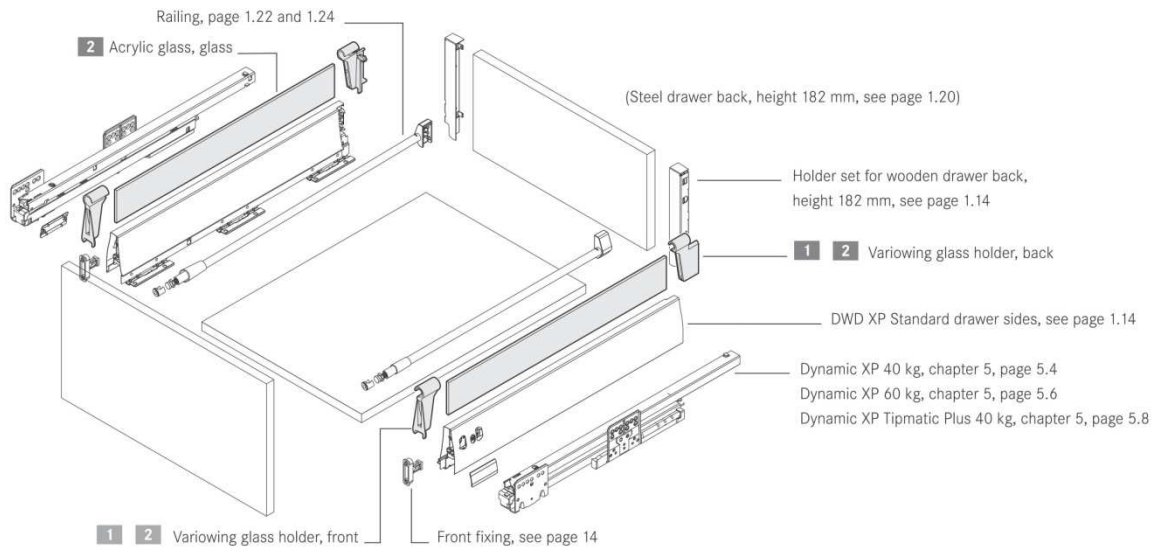
NL/nominal length in mm	GL /glass length in mm ± 0.5 mm
350	315
400	365
450	415
500	465
550	515
600	565
650	615

Information:

All edges must be chamfered (approx. 0.7 mm x 45°).

Grass recommends SGS glass (toughened safety glass), please refer to national and international safety standards.

Pot drawer with Variowing add-on system in glass



All dimensions in millimetres.

For further information please contact one of our customer service teams on 1800 008 591 in Australia, or in New Zealand on 0800 267 625.