

Cabinet & Furniture Hardware



PRODUCT RELEASE - C

Issue: 024
Date: 10th of September 2010

Catalogue Section: Drawer Slides
Product Manager: Keiran Lowden

Subject: New GSlide Soft Close and Touch Release Slides

We are pleased to announce the introduction of new GSlide models that will replace our existing range of GSlide Soft Close and Touch Release Ball Bearing Slides. The introduction of these slides come as a result of additional product development by our supplier further improving on this market leading range of slides.

Technical Information

545.745xx.xxx – Side Mount and 547.745xx.xxx Bottom Mount, Soft Close Slides.

There are a number of significant improvements made to the new soft closing models when compared with the earlier versions:

- Side profile reduced to 12.7+0.8/-0 (previously 13+0.8/-0) keeping in line with the universal specifications for standard ball bearing slides
- Side clearance reduced to 13 +0.3/-0 (previously 13.5+0.3/-0)
- Soft Closing stroke increased to 38mm compared to 30mm
- True Full Extension for lengths 400mm – 700mm (previous models were not full extension)
- Extended inner rail now is now the full length of the slide improving load capacity and ease of access when installing the drawer.
- Improved Damper providing smoother and quieter closing action

The reduction of the slide clearance is one of the most important changes made to the new model. Previously users would have to change their drawers to suit the non standard 13.5mm clearance. With the new model people already using standard ball bearing slides can make the change to GSlide soft close without any additional changes to the drawers.

545.945xx.xxx – Side Mount and 547.945xx.xxx Bottom Mount, Touch Release Slides.

Only one major change has been made to the new Touch Release slides and this is also in the side clearance. As with the soft close, the side profile on the Touch Release has also been reduced to 12.7mm +0.8/-0 (previously 13mm +0.6/-0). Again this change is significant allowing for Touch Release to be substituted for standard ball bearing slides without any drawer changes as the side clearance is the same.

For further information please contact one of our customer service teams on 1800 008 591 in Australia, or in New Zealand on 0800 267 625.



AUSTRALIA

Tel 1800 008 591

Fax 1800 008 592

www.artia.com.au

Victoria
New South Wales
Queensland
Western Australia
South Australia
Tasmania

NEW ZEALAND

Tel 0800 267 625

Fax 0800 100 224

www.artia.co.nz

Auckland
Christchurch

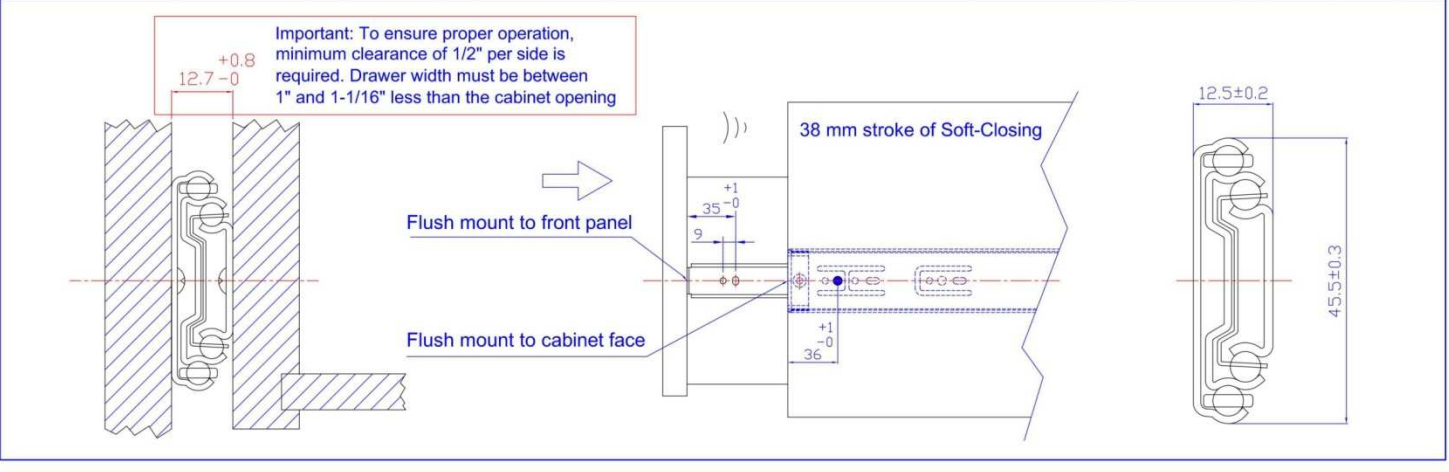
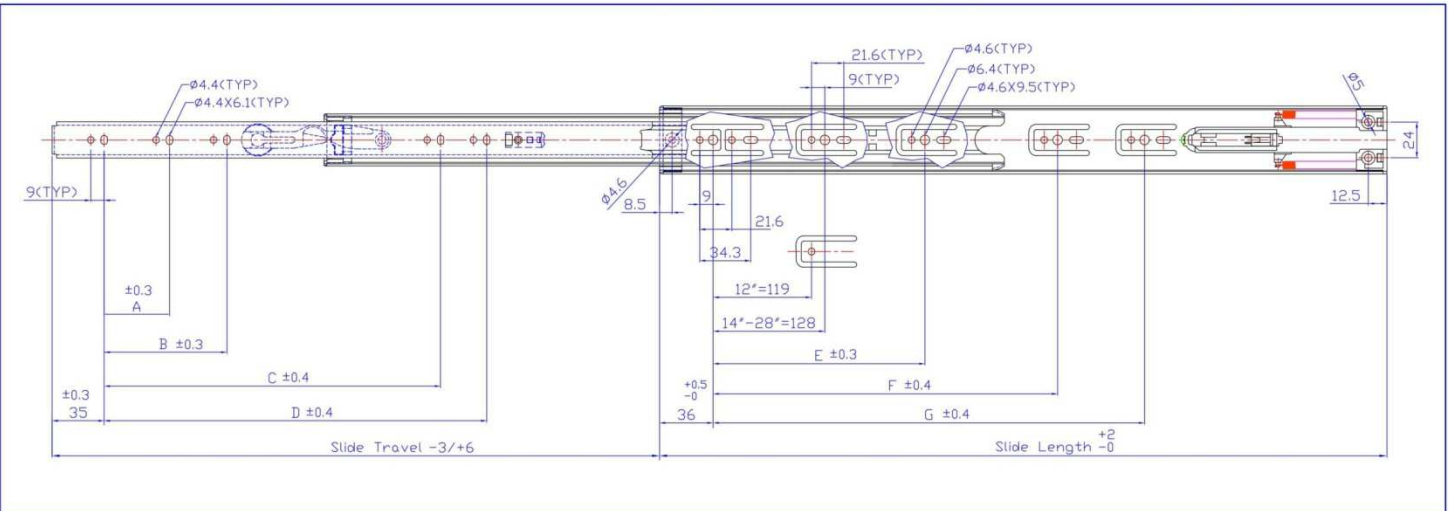
Soft Close Slides

Product Attributes

- Full-Extension (16"-28")
- 38 mm stroke of Soft-Closing
- Pull force 2.5 - 2.7 kg
- 1/2 " side clearance, no set-up change
- 45 kg / 100 lbs. load rating at 20"
- Traditional and 32 mm hole patterns
- Soft-closing function built in slide, easy for installation
- Non-handed Disconnect Release
- Electro-Zinc plated with clear,yellow or black chromate, or Cr-Free galvanized stell



SIZE	Slide Length	Slide Travel	Load Rating	A	B	C	D	E	F	G
12"	300	213	20				156			
14"	350	303	25				200			
16"	400	403	30	96			256	208		
18"	450	455	35	128			294	256		
20"	500	505	45	96	160		344	304		
22"	550	555	45	96	160		394	224	352	
24"	600	605	35	128	192		444	224	352	
26"	650	655	35	128	224	416	494	224	352	448
28"	700	705	35	128	224	480	544	224	352	496



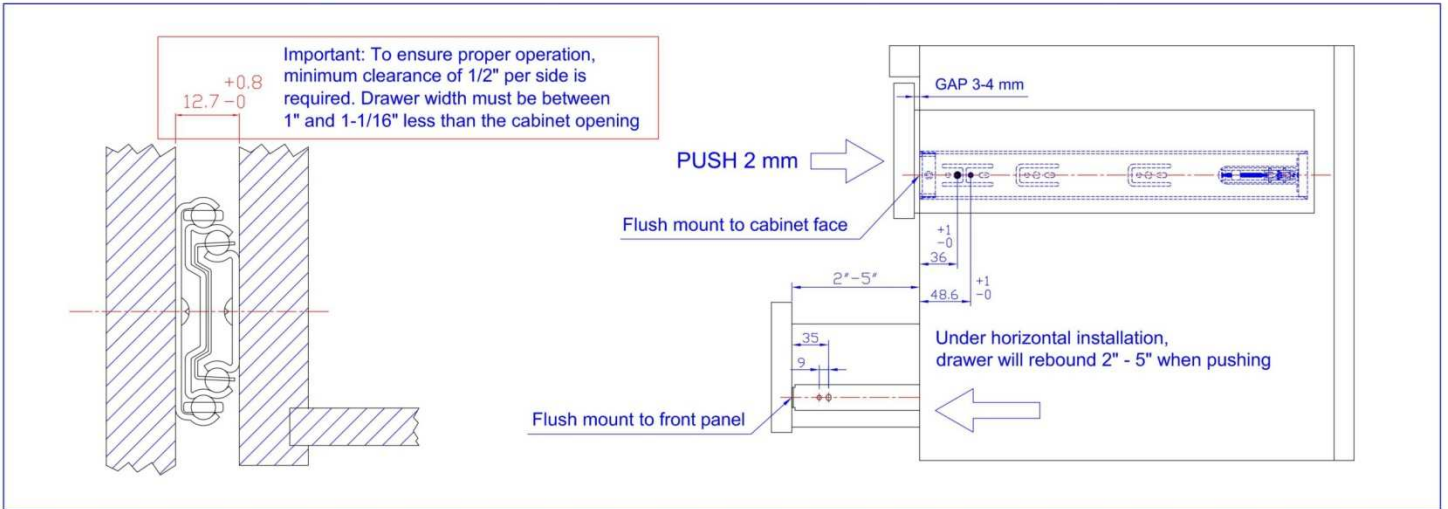
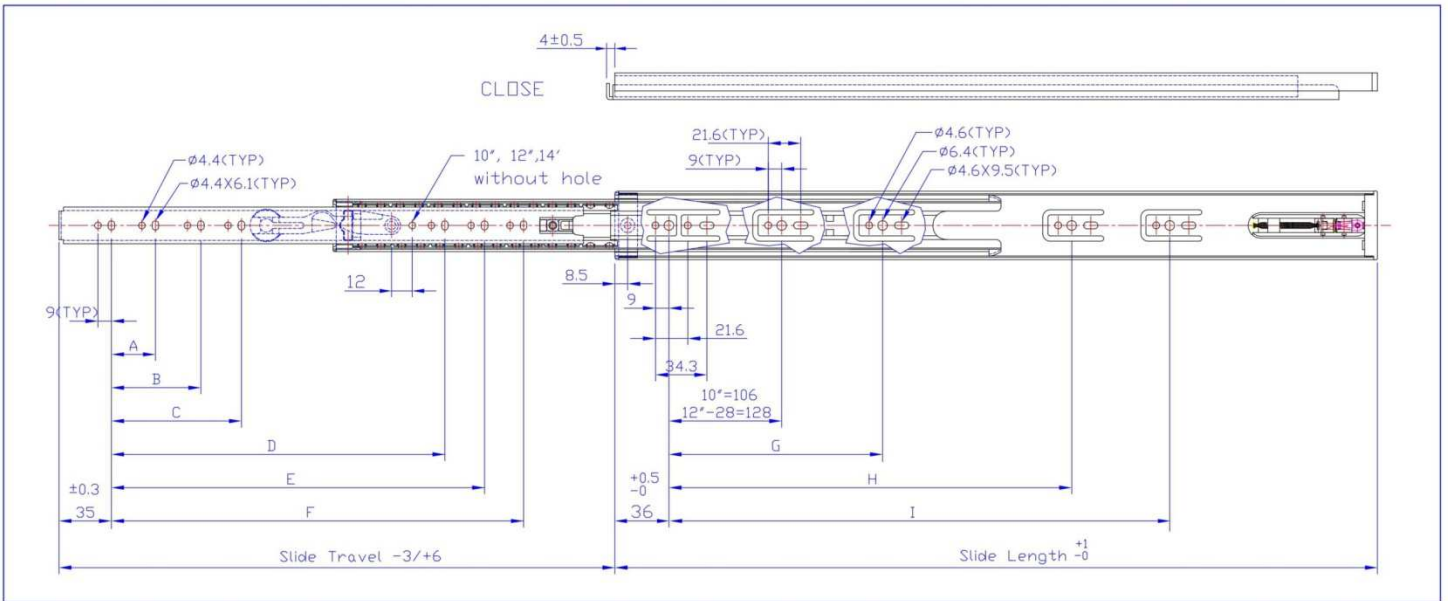
Push/Rebound Slides

Product Attributes

- Full-Extension (12"-28")
- Rebound 2"- 5" when push drawer
- Push-Open mechanism build in slide, easy for installation
- 1/2 " side clearance no set-up change
- 45 kg / 100 lbs.load rating at 18"
- Traditional and 32 mm hole patterns
- Non-handed Disconnect Release
- Electro-Zinc plated with clear,yellow or black chromate, or Cr-Free galvanized stell



SIZE	Slide Length	Slide Travel	Load Rating	A	B	C	D	E	F	G	H	I
10"	250	238	20						156			
12"	300	305	25						200			
14"	350	356	35	96					256	192		
16"	400	406	40	128					294	224		
18"	450	457	45	96	160				344	288		
20"	500	508	45	96	160	352			394	224	352	
22"	550	559	40	128	192	384			444	224	352	
24"	600	610	40	128	224	416			494	224	352	448
26"	650	660	35	128	224	416	480		544	224	352	480
28"	700	711	35	128	224	288	480	544	594	224	352	544



SOFT CLOSE INSTALLATION GUIDELINES

In order for a side mount ball bearing slide to work properly, the cabinet and drawer sizes (measurements) must be precise. Please refer to the key points as following:

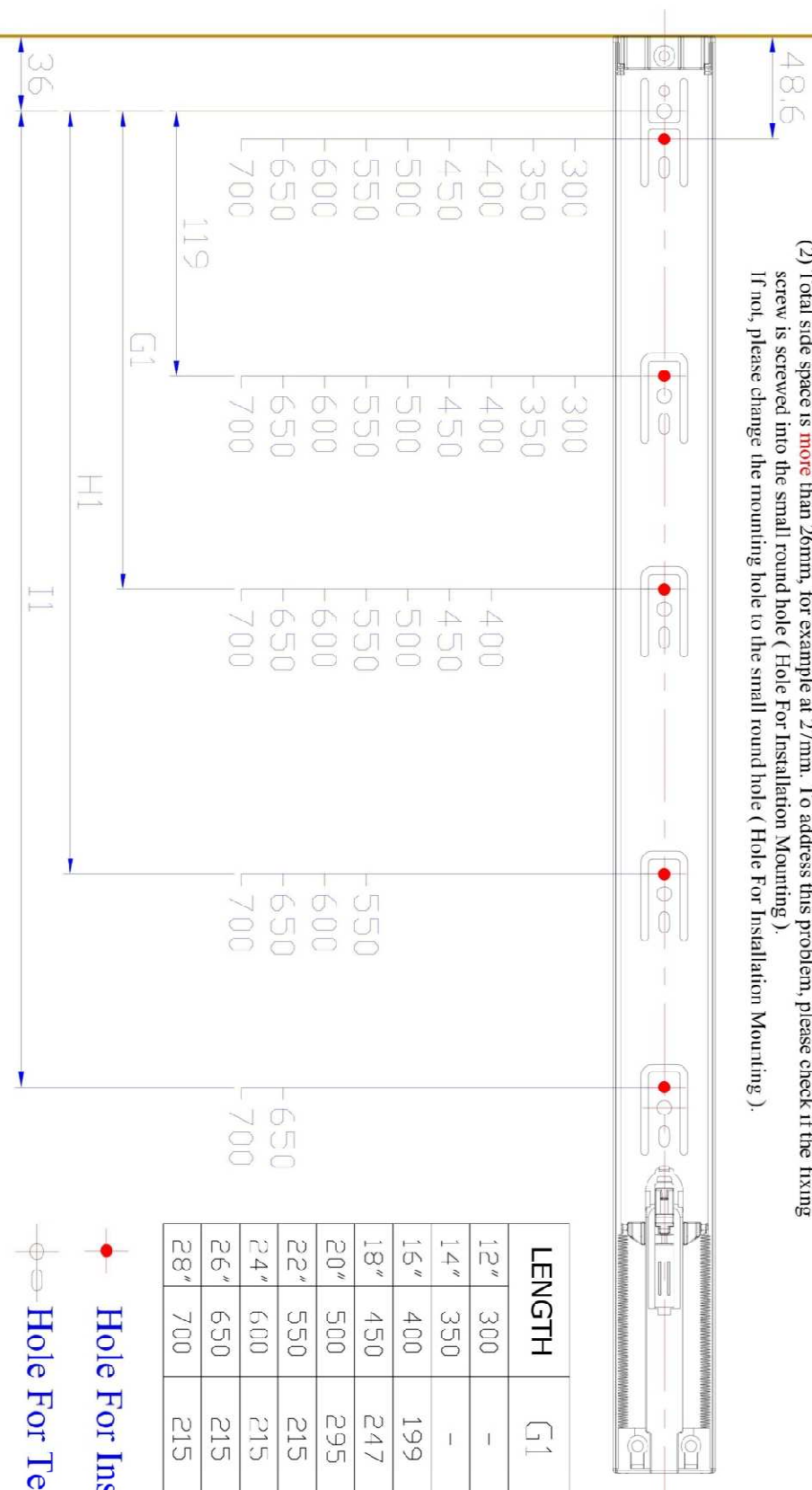
1. The side space between one side of cabinet and drawer must be $13\text{mm} / -0 / +0.3$, in the other word, the total side space between cabinet and drawer must be within $26 - 26.6\text{mm}$ range. If the side space is in the $26 - 26.6\text{mm}$ range, the fixing screw can be screwed into any one of the three holes.

2. If the drawer can not be closed properly, majority of problem would be caused by one of the below two situations :

(1) Total side space is **less** than 26mm, for example at 25.7mm. To address this problem, please fix the total side space to be within 26 - 26.6mm range.

(2) Total side space is **more** than 26mm, for example at 27mm. To address this problem, please check if the fixing screw is screwed into the small round hole (Hole For Installation Mounting)

If not, please change the mounting hole to the small round hole (Hole For Installation Mounting).



LENGTH	G1	H1	I1
12"	300	-	-
14"	350	-	-
16"	400	199	-
18"	450	247	-
20"	500	295	-
22"	550	215	343
24"	600	215	343
26"	650	215	439
28"	700	215	487

Hole For Installation Mounting

Hole For Temporary Mounting