

Chair and Office Components



PRODUCT RELEASE - C

Issue: 051
Date: 9TH of March 2011

Catalogue Section: Chair Packages
Product Manager: Kent Swan

Subject: Stack Visitor Chair

Introducing the new Stack Chair from Artia. The Stack is the latest addition to Artia's Visitor and occasional seating range. Available in black and chrome options the Stack is versatile visitor option which should be a staple in any Chair manufacturers' range.

Some of the features of the Stack chair are:

- **Strength & Durability** - Sturdy welded frame construction.
- **Cost Effective** – Very economical price point.
- **Functional** – Stackable and light to handle.
- **Simplicity** – All components packaged and ordered under a single product code.



Part Code	Finish
625.07190.451	Black
625.07190.450	Chrome

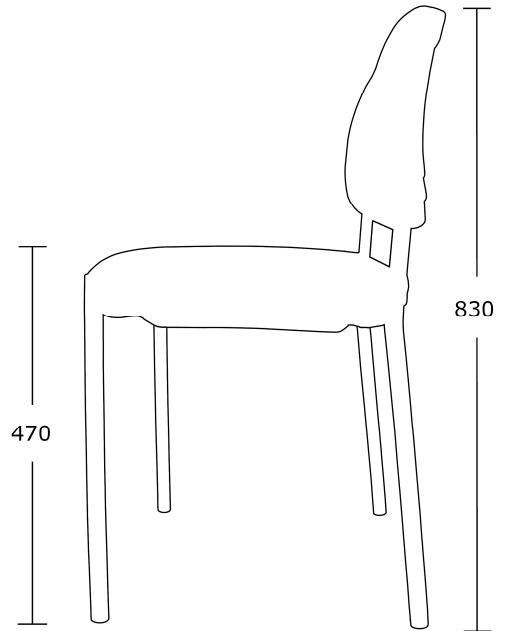
*Upholstered Stack Chair
with Black Frame*

Technical Specifications

The frame is welded from 22mm diameter, 1.2mm wall thickness steel tube. The frames are finished in either a Black Satin Powder coat or Chrome plate.

The plastics are made from recyclable PP and stamped with the appropriate logo to indicating this.

Seat Width	Seat Depth
450mm	440mm



Assembly

The Stack Chair kit provides all the hardware required for the manufacture of the chair with the exception of the foam, fabric and fasteners.

Each kit includes the following components:



Inner Back



Outer Back



Inner Seat



Outer Seat



Welded Frame

Assembly of the Stack chair is simple. There is no assembly required on the frame as it is one piece with top and bottom closures pre-fitted.

The inner back and seat are fitted with M6 T-Nuts and are simply screwed on the frame using the appropriate bolts*. The Inner back can then be clipped on via the 4 clipping points. Lastly the outer seat can be fixed underneath using 4 self tapping screws.*

**fasteners are not provided with the Kit.*

Packaging Information

The Stack Chair is packaged with two complete kits per carton. In the carton the plastics are wrapped in plastic to avoid potential scratching or damage in transit.

Packaging of Stack chair components



Artia Code	Carton Qty	Carton Length (M)	Carton Breadth (M)	Carton Height (M)	Carton Volume (M3)	Carton Weight (KG)
625.07190.451	2	0.680	0.500	0.520	0.18	12.50
625.07190.450	2	0.680	0.500	0.520	0.18	12.50

For further information please contact our Customer Service Team on 1800 008 591 (Australia) or 0800 267 625 (New Zealand).