

Cabinet & Furniture Hardware



PRODUCT RELEASE - C

Issue: 020
Date: 15th of April 2010

Catalogue Section: Locks
Product Manager: Steven Perry

Subject: BMB Lock Range Additions

We are pleased to introduce several new products from BMB Germany to compliment the current Artia range.

Showcase Pin Lock

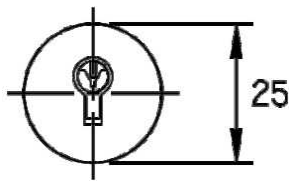


The Pin Lock system is designed for glass sliding door showcases. This style of lock gives a visual indication if the showcase cabinet is locked or unlocked as

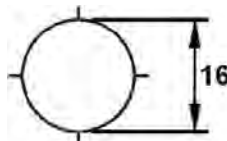
the lock core is removed with the key when unlocked and stays with the key until the doors are properly secured.



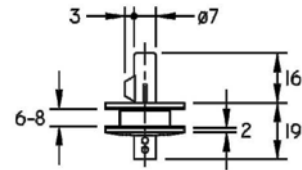
The Pin Lock is simple to install and is suitable for 6 – 8 mm thick glass, with additional spacers being available for glass thickness of less than 6mm. Also required is a 16mm diameter hole to be bored in the glass to accept the Pin Lock Rosette.



Rosette Diameter



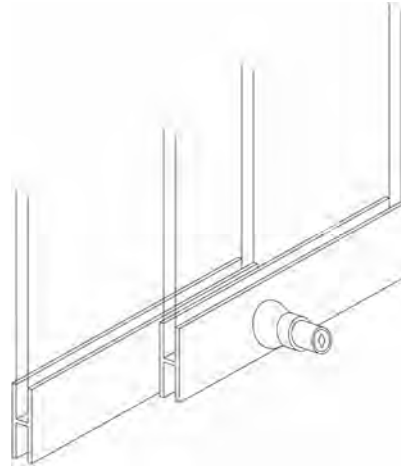
Bore Hole Diameter



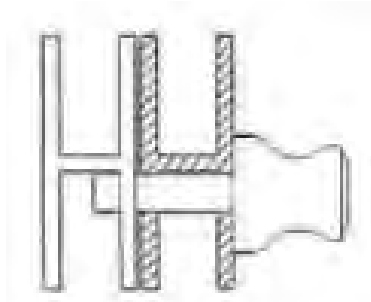
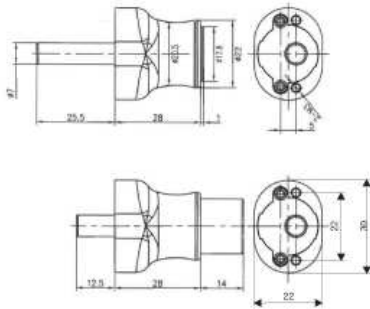
Rosette Dimensions

<u>Item Code</u>	<u>Description</u>	<u>Finish</u>	<u>Cat Page</u>	<u>Pack Size</u>
327024	Pin Lock Key #001	Chrome	185	20/400
327025	Pin Lock Key #002	Chrome	185	20/400
327026	Pin Lock Key #003	Chrome	185	20/400
327027	Pin Lock Rosette	Chrome	185	20/400
327028	Pin Lock 0.5mm Spacer	Nat	185	20/400

Aluminium Track Lock



The aluminium track lock is designed for aluminium framed glass sliding doors and fits onto the aluminium channel where no glass boring is required. The frame lock is a push button operation which allows locking without the need for a key.



Once fitted to the outside sliding door frame a 7mm diameter pin is then passed through the frames and secures both doors when the lock has been secured. A 7mm diameter x 8mm long extension pin is also available ex stock for thicker sliding channels item code 326884.

<u>Item Code</u>	<u>Description</u>	<u>Finish</u>	<u>Cat Page</u>	<u>Pack Size</u>
327023	Channel Push Lock	Aluminium	185	20
326884	Extension Pin 8mm Length	NP	180	20

Fixed Knob



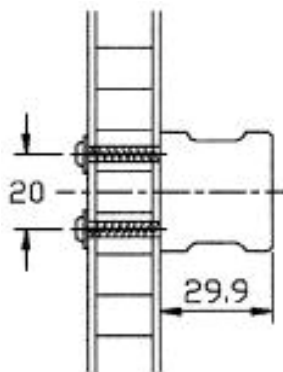
Fixed Handle



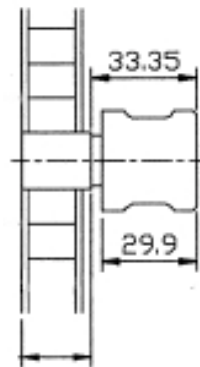
Lockable Turn Handle Cover Cap

Also new is the fixed handle which is designed to match up with our current lockable turn handle. Accepting M4 screws, this 32mm diameter knob allows the manufacturer to have matching handles on both doors, especially convenient where Espangnolette locks are used, but can be matched to any lock using the lockable style handle.

<u>Item Code</u>	<u>Description</u>	<u>Finish</u>	<u>Cat Page</u>	<u>Pack Size</u>
327029	Fixed Handle	Matt Nickel	188	20/100
326856	Lockable Knob inc Cover Cap	Matt Nickel	188	20/100



Fixed Knob



Lockable Knob

Auto Door Bolt

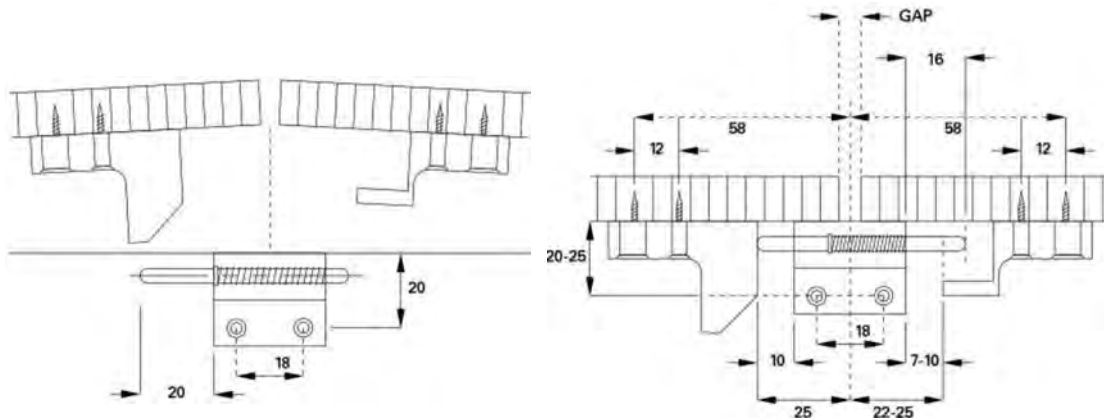


The automatic door bolt is for use with wooden double doors, which comes complete with arresting and locking plates. Available in top and bottom fixing, the system is also designed to be reversible for either fixing. Simply remove the locking pin from the housing, turn 180° and slide in again.



The auto door bolt eliminates the need to use standard door bolts, which requires the user to remember to lock after each use. With the auto door bolt the second door is locked automatically upon closing the main door and unlock automatically when opened.

Made from tough and durable ABS material the system is easy to install and operate.



<u>Item Code</u>	<u>Description</u>	<u>Finish</u>	<u>Cat Page</u>	<u>Pack Size</u>
326874	Auto Door Bolt Top Mount	Black	181	50/250
327031	Auto Door Bolt Bottom Mount	Black	181	50/250

For further information please contact one of our customer service teams on the toll free numbers below.